

Scaled data based on original data using
LM-79-08 Approved Method: Electrical and Photometric Measurements of Solid-State
Lighting Products

Test Report Prepared for
Cooper Lighting Solutions
(formerly Eaton)

Brand: STREETWORKS

Report Number: P571643

Luminaire Tested: **UFLD-CA2-130-727-U-66-TS2_UFLD**

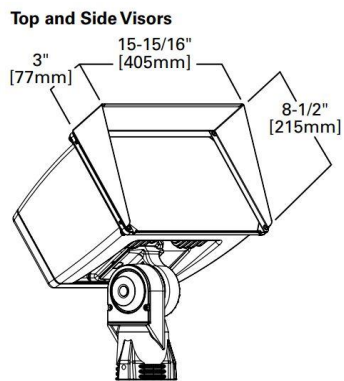
Issue Date: 9/21/2021

Test Information

Test Method: LM-79-08
Report Number: P571643
TEST IS SCALED FROM IESNA LM-79-08 TEST DATA (G2-2109-378-4)
Test Lab: COOPER LIGHTING SOLUTIONS
Issue Date: 9/21/2021
Manufacturer: COOPER LIGHTING SOLUTIONS (FORMERLY EATON)
Product Line: STREETWORKS
Catalog Number: UFLD-CA2-130-727-U-66-TS2_UFLD
Description: FLOOD LIGHT, 6x6 OPTIC WITH TOP AND SIDE VISOR
Light Source: (2) 2700K CCT, 70 CRI LEDS
Ballast/Driver: -

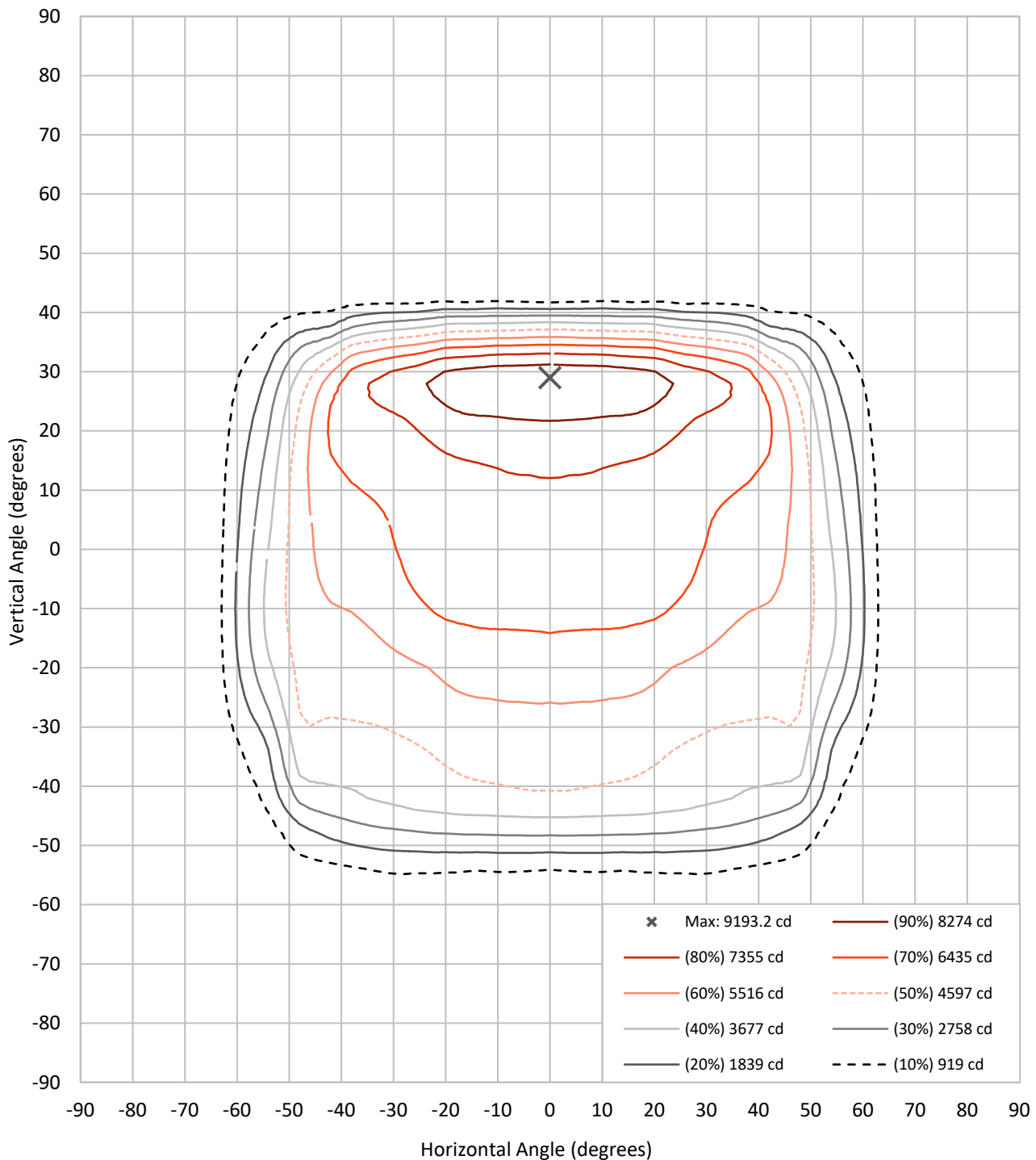
Summary

Lumens per Lamp:	N/A	NEMA Type:	6H x 5V
Luminaire Lumens:	15194 lumens	Max Intensity:	9193.2 candela
Efficiency:	N/A	Max Intensity Angle:	0°H x 29°V
Efficacy:	114.5 lumens/watt		
Luminous Opening:	Rectangular (W 1.25' x L: 0.67' x H: 0')		
Beam Angle (50%):	91.9°H x 77.9°V	Field Angle (10%):	119.5°H x 95.8°V
Beam Lumens:	11697.4 lumens	Field Lumens:	14806 lumens
Beam Efficiency:	77.0%	Field Efficiency:	97.4%
Input Watts (W):	132.7		
Input Voltage (V):	120		
Input Current (Ain):	NR		
Voltage Rise (V):	NR		
Power Factor:	NR		
Total Harmonic Distortion (THDi):	NR		
Frequency (hertz):	60		
Stabilization Time:	NR		
Operation Time:	NR		
Ambient Temperature (°C):	NR		
Test Distance:	25 FT		



REPORT NUMBER: P571643
CATALOG NUMBER: UFLD-CA2-130-727-U-66-TS2_UFLD

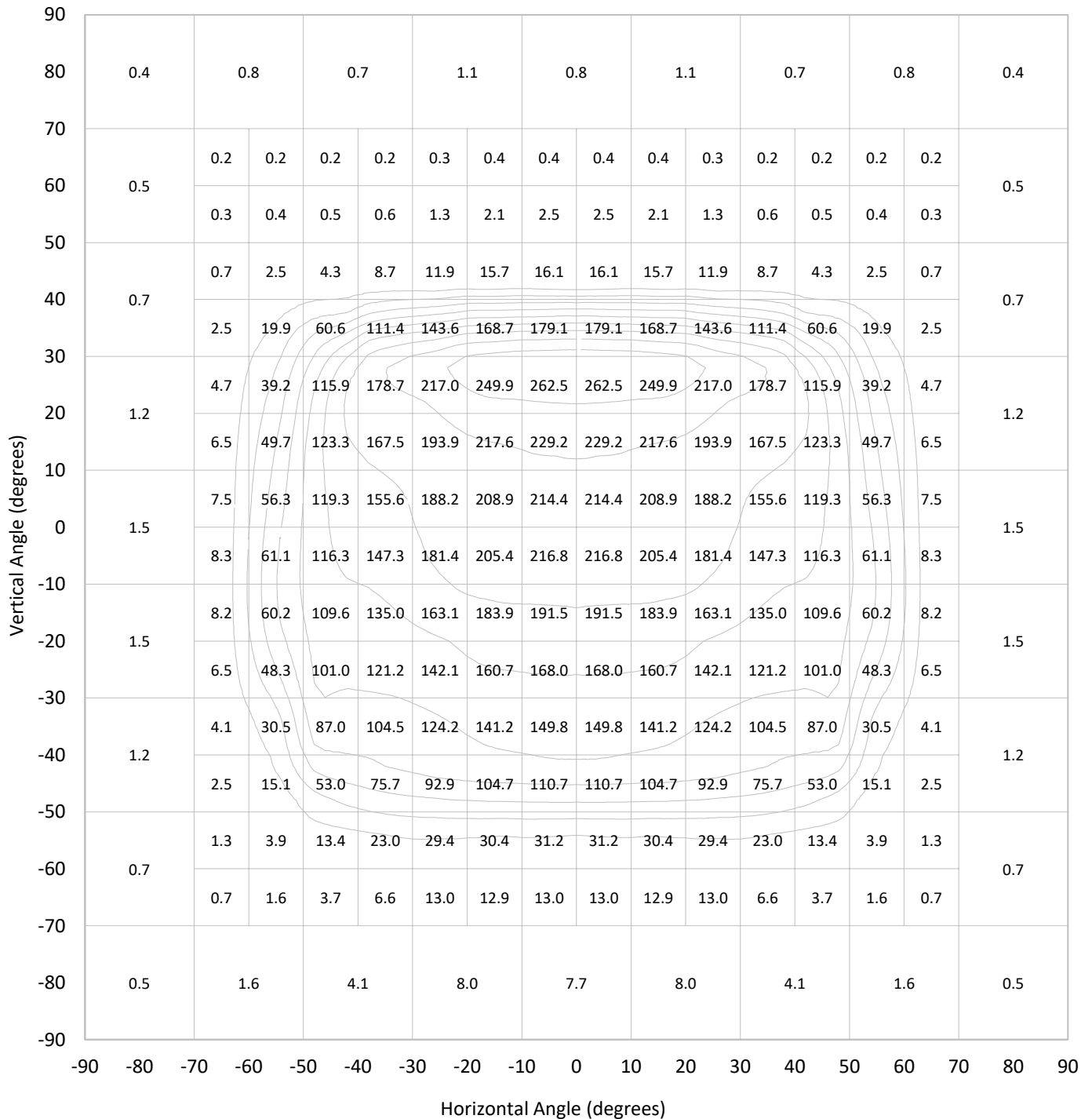
Iso-Candela Plot





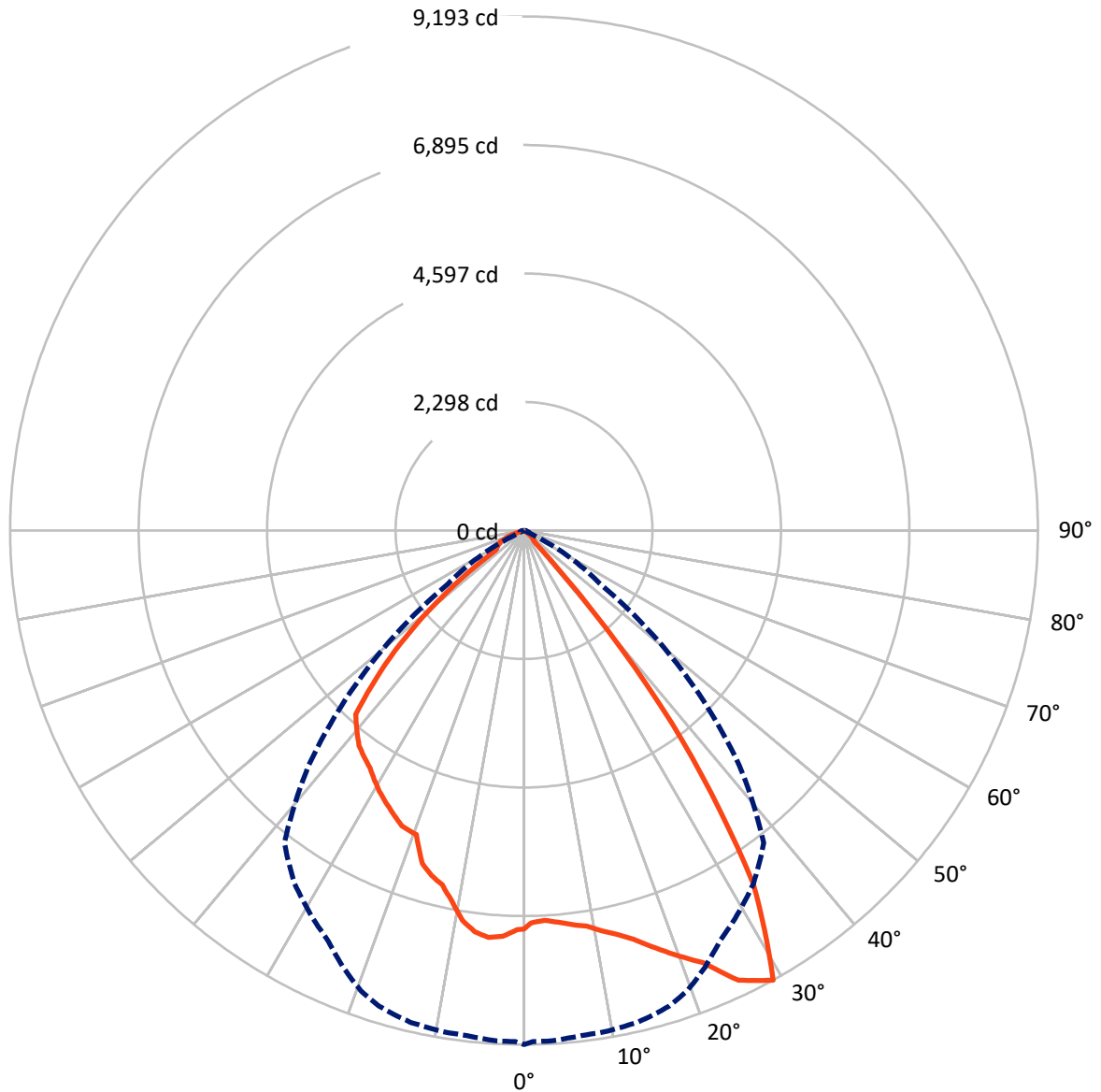
REPORT NUMBER: P571643
 CATALOG NUMBER: UFLD-CA2-130-727-U-66-TS2_UFLD

Lumen Table



REPORT NUMBER: P571643
CATALOG NUMBER: UFLD-CA2-130-727-U-66-TS2_UFLD

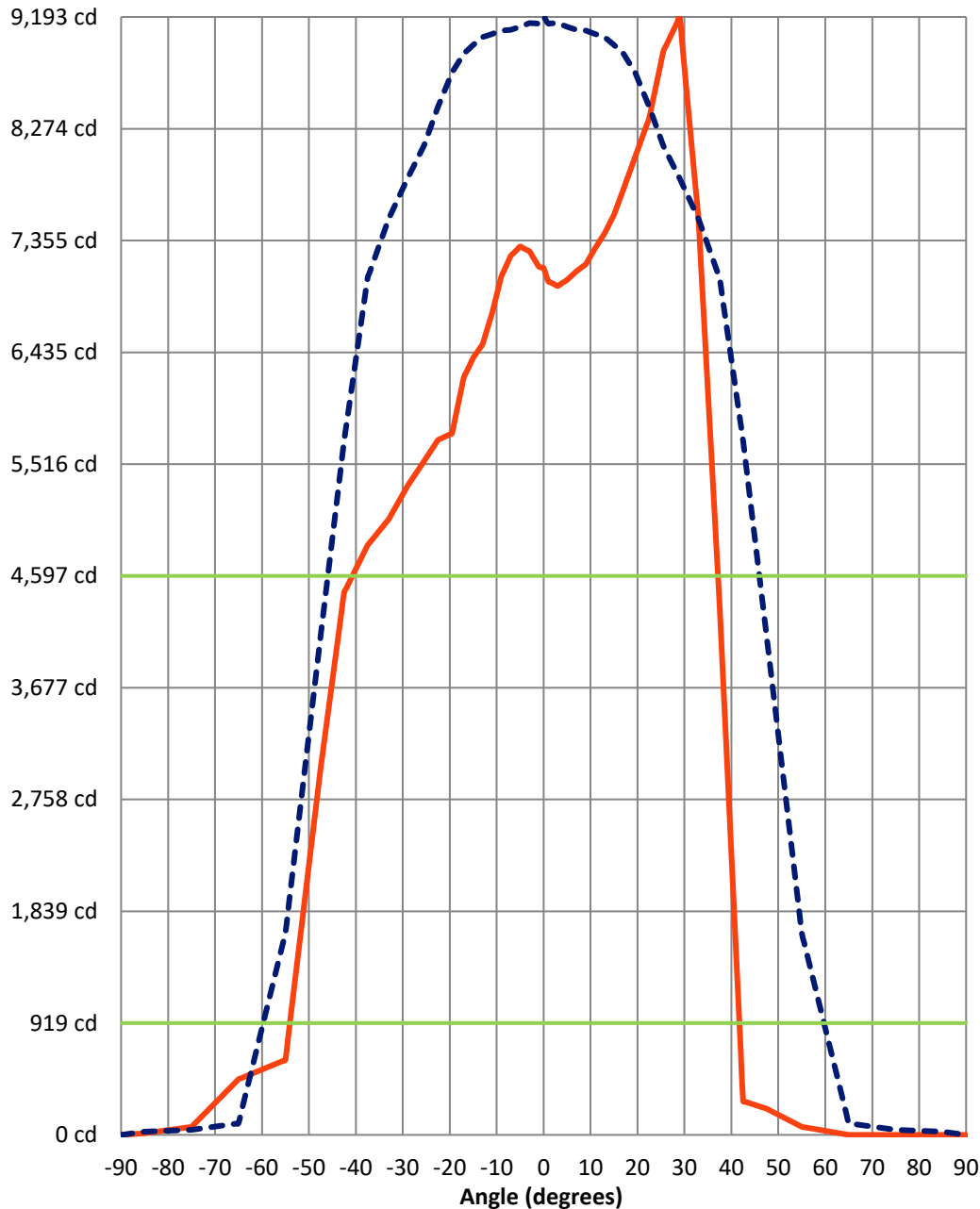
Luminous Intensity Polar Plot



— Vertical Distribution Through 0-Deg - - - Horizontal Distribution Through 29-Deg

REPORT NUMBER: P571643
 CATALOG NUMBER: UFLD-CA2-130-727-U-66-TS2_UFLD

Luminous Intensity Plot



Beam:
 H Angle: 91.9°
 V Angle: 77.9°
 Lumens: 11697.4
 Efficiency: 77.0%

Field:
 H Angle: 119.5°
 V Angle: 95.8°
 Lumens: 14806
 Efficiency: 97.4%

Spill:
 Lumens: 388
 Efficiency: 2.6%

- Vertical Distribution through 0-Deg
- - - Horizontal Distribution through 29-Deg



REPORT NUMBER: P571643
 CATALOG NUMBER: UFLD-CA2-130-727-U-66-TS2_UFLD

FIELD
 BEAM

CANDELA DISTRIBUTION:

	0°	1°	3°	5°	7°	9°	11°	13°	15°	17°	19.5°
90°	0.0	0.0	0.0	0.0	0.0	0.0	0.0	0.0	0.0	0.0	0.0
85°	0.0	4.1	10.4	13.1	13.8	15.2	15.2	16.6	16.6	15.9	15.2
75°	0.0	1.4	4.1	6.2	7.6	9.0	9.7	9.7	9.7	9.0	9.0
65°	0.0	0.7	2.8	4.1	5.5	6.2	6.2	6.9	6.9	6.9	6.2
55°	66.4	68.5	67.1	66.4	66.4	65.0	62.2	58.1	53.2	53.9	50.5
47.5°	215.0	213.0	213.7	212.3	210.2	204.0	200.5	197.7	195.7	195.0	186.0
42.5°	278.0	286.9	313.2	369.2	428.7	492.3	495.8	447.4	388.6	324.3	451.5
37.5°	4348.4	4415.4	4326.9	4303.4	4186.6	4211.5	4190.7	4125.0	4120.2	4157.5	4111.9
33°	7526.8	7551.7	7505.4	7493.0	7468.8	7468.8	7442.5	7324.9	7239.9	7187.4	7170.8
29°	9193.2	9139.2	9142.7	9112.3	9087.4	9081.2	9052.8	9027.2	8962.9	8891.7	8736.1
25.5°	8909.7	8882.0	8895.2	8844.7	8835.7	8798.4	8801.8	8767.3	8720.2	8646.3	8480.3
22.5°	8362.8	8366.2	8364.2	8337.9	8328.2	8294.3	8253.5	8245.9	8241.8	8187.8	8066.8
19.5°	8042.6	8008.8	7997.0	8014.3	7985.3	7942.4	7896.1	7865.0	7827.6	7812.4	7767.5
17°	7775.8	7739.8	7755.7	7730.8	7711.5	7655.5	7606.4	7564.2	7544.8	7517.9	7452.2
15°	7566.9	7538.6	7533.8	7515.1	7529.6	7461.2	7432.1	7396.2	7356.8	7317.3	7264.1
13°	7414.1	7421.1	7409.3	7360.2	7382.3	7327.7	7291.8	7246.1	7212.9	7177.0	7147.3
11°	7292.5	7301.4	7254.4	7252.4	7262.7	7191.5	7181.1	7127.9	7109.2	7112.7	7033.2
9°	7160.4	7180.4	7197.0	7174.9	7159.0	7130.7	7114.1	7094.7	7059.4	7065.0	7044.9
7°	7101.6	7085.0	7080.9	7112.7	7087.8	7060.8	7032.5	7042.8	7049.8	7069.1	7044.9
5°	7031.1	7040.8	7047.0	7027.6	7024.2	7034.6	7016.6	7037.3	7043.5	7181.8	7224.7
3°	6980.6	7016.6	6997.9	6974.4	6991.0	7006.9	7044.2	7047.7	7114.8	7195.7	7219.2
1°	7019.3	7044.9	7047.0	7047.0	7063.6	7114.8	7118.9	7139.6	7188.7	7222.6	7241.3
0°	7127.9	7112.0	7121.7	7107.2	7147.3	7173.5	7177.0	7160.4	7196.3	7311.1	7311.1
-1°	7139.0	7145.9	7174.2	7181.8	7171.5	7204.0	7153.5	7157.6	7174.9	7242.7	7179.1
-3°	7265.5	7267.6	7264.1	7266.9	7250.3	7241.3	7206.0	7177.7	7136.9	7072.6	7018.6
-5°	7305.6	7310.4	7292.5	7284.2	7246.8	7186.7	7168.0	7119.6	7053.2	6981.3	6929.5
-7°	7228.2	7229.5	7171.5	7187.4	7125.8	7056.7	7009.0	6941.9	6894.2	6824.4	6772.5
-9°	7059.4	7034.6	6994.4	6982.0	6923.9	6838.9	6773.9	6723.4	6699.2	6658.4	6670.2
-11°	6753.8	6733.8	6735.9	6702.0	6657.7	6620.4	6588.6	6567.8	6553.3	6536.0	6511.1
-13°	6502.2	6491.8	6457.2	6467.6	6445.5	6453.1	6460.0	6451.7	6434.4	6411.6	6375.6
-15°	6389.5	6381.2	6365.9	6354.2	6352.1	6352.1	6349.4	6345.9	6330.7	6274.0	6218.7
-17°	6228.4	6207.6	6206.2	6202.8	6195.2	6199.3	6191.0	6176.5	6172.3	6134.3	6080.4
-19.5°	5769.9	5780.3	5778.9	5794.1	5777.5	5805.9	5816.3	5817.0	5795.5	5771.3	5726.4
-22.5°	5713.9	5682.1	5686.3	5695.3	5679.4	5673.1	5670.4	5673.1	5651.7	5623.4	5550.8
-25.5°	5538.3	5550.8	5551.4	5533.5	5536.2	5539.0	5506.5	5504.4	5483.0	5451.9	5373.1
-29°	5335.7	5343.3	5326.0	5327.4	5298.4	5285.9	5247.9	5225.8	5190.5	5169.8	5093.0
-33°	5062.6	5079.9	5064.0	5059.2	5030.8	5008.7	4976.9	4961.0	4905.0	4854.5	4797.1
-37.5°	4848.3	4828.9	4824.1	4833.7	4796.4	4784.0	4753.5	4727.3	4687.9	4638.8	4566.2
-42.5°	4458.3	4483.2	4474.2	4445.9	4430.0	4382.9	4364.3	4340.8	4325.6	4317.9	4235.7
-47.5°	3013.9	3027.1	3022.9	3013.2	3002.9	2998.7	2978.7	2962.8	2959.3	2946.9	2907.4
-55°	616.8	632.7	644.4	673.4	685.9	703.9	687.3	656.2	650.6	715.6	710.1
-65°	457.0	455.0	452.9	450.8	447.4	446.0	449.4	452.2	450.1	459.1	477.1
-75°	65.7	65.0	67.1	67.8	62.9	62.9	73.3	71.2	74.0	74.0	74.7
-85°	13.1	11.8	13.1	19.4	20.1	22.8	24.9	27.0	27.7	27.7	27.7
-90°	0.0	0.0	0.0	0.0	0.0	0.0	0.0	0.0	0.0	0.0	0.0



REPORT NUMBER: P571643
 CATALOG NUMBER: UFLD-CA2-130-727-U-66-TS2_UFLD

CANDELA DISTRIBUTION (continued):

	22.5°	25.5°	29°	33°	37.5°	42.5°	47.5°	55°	65°	75°	85°
90°	0.0	0.0	0.0	0.0	0.0	0.0	0.0	0.0	0.0	0.0	0.0
85°	13.8	12.4	11.1	9.7	8.3	9.0	10.4	13.1	18.7	21.4	23.5
75°	8.3	7.6	6.9	6.9	6.9	8.3	9.7	12.4	18.0	20.7	24.2
65°	6.2	5.5	4.8	4.8	4.8	6.2	9.7	13.1	18.7	21.4	24.2
55°	45.6	33.2	18.7	19.4	19.4	20.1	20.7	17.3	21.4	23.5	24.9
47.5°	158.3	112.0	67.8	53.2	53.2	46.3	40.1	30.4	39.4	25.6	24.9
42.5°	443.9	203.3	326.4	349.2	302.8	135.5	178.4	202.6	50.5	29.0	25.6
37.5°	3775.9	3615.5	3399.7	3220.0	2807.9	1772.1	1602.7	704.6	60.2	33.2	25.6
33°	6918.4	6547.8	6367.3	5994.0	5707.0	4176.9	3223.4	1198.9	78.8	37.3	26.3
29°	8454.0	8133.9	7864.3	7533.1	7044.2	5707.0	4102.9	1658.7	94.7	41.5	26.3
25.5°	8224.5	7964.5	7703.2	7458.4	7195.7	6301.6	4644.3	1990.6	109.9	46.3	26.3
22.5°	7833.1	7549.0	7307.0	7163.2	7014.5	6496.6	4933.3	2222.2	124.5	51.2	27.0
19.5°	7535.8	7282.8	7060.8	6914.2	6901.1	6531.2	5094.4	2410.3	141.7	59.5	27.0
17°	7266.2	7058.1	6880.4	6813.3	6846.5	6441.3	5212.0	2565.9	157.6	65.0	27.0
15°	7084.3	6920.5	6776.7	6760.7	6738.6	6339.7	5299.8	2697.9	170.8	67.8	27.0
13°	7002.1	6857.5	6745.5	6730.3	6602.4	6220.1	5347.5	2818.9	181.2	69.8	27.0
11°	6905.9	6809.8	6751.1	6630.8	6451.7	6069.3	5350.9	2924.0	191.5	73.3	27.0
9°	6922.5	6797.4	6704.1	6515.3	6304.4	5993.3	5350.9	3019.5	189.5	75.4	27.0
7°	6930.1	6813.3	6620.4	6400.5	6188.9	5917.9	5364.8	3114.2	180.5	78.1	27.0
5°	6966.1	6796.7	6578.9	6310.6	6094.2	5864.0	5319.8	3211.0	177.0	80.2	27.0
3°	6968.2	6795.3	6561.6	6221.4	6027.8	5812.8	5314.3	3293.9	176.3	80.9	27.7
1°	6970.2	6788.4	6507.7	6132.9	5971.1	5787.2	5306.7	3386.6	178.4	80.9	27.7
0°	6959.9	6757.3	6484.9	6110.8	5935.9	5767.9	5315.7	3435.7	179.8	79.5	27.7
-1°	6948.1	6715.1	6428.9	6079.7	5908.9	5760.3	5306.0	3484.1	179.8	78.8	27.7
-3°	6861.7	6646.0	6376.3	6050.7	5861.9	5714.6	5270.0	3567.1	185.3	78.8	27.7
-5°	6771.8	6568.5	6320.3	5972.5	5804.5	5658.6	5279.7	3616.1	188.1	78.8	27.7
-7°	6682.6	6470.3	6241.5	5938.0	5720.2	5574.3	5254.1	3679.8	188.8	78.1	27.7
-9°	6537.4	6353.5	6110.1	5811.4	5610.2	5512.0	5245.1	3711.6	190.1	78.1	27.7
-11°	6415.0	6196.5	5976.7	5700.8	5503.7	5409.0	5202.3	3707.4	191.5	77.4	27.7
-13°	6244.3	6049.3	5849.5	5589.5	5412.5	5291.5	5158.7	3682.5	190.8	78.1	27.7
-15°	6090.1	5899.2	5698.0	5494.1	5310.1	5167.0	5093.7	3625.8	190.8	78.1	27.7
-17°	5933.8	5749.2	5560.4	5364.1	5207.8	5093.7	5045.3	3518.7	189.5	77.4	27.7
-19.5°	5583.9	5443.6	5326.0	5218.9	5087.5	4954.1	4969.3	3324.4	184.6	77.4	27.7
-22.5°	5407.6	5264.5	5144.9	5037.0	4933.3	4801.3	4889.1	3029.8	177.0	76.1	27.7
-25.5°	5247.9	5110.3	4987.2	4880.1	4809.5	4728.7	4816.5	2648.2	169.4	74.7	27.7
-29°	4977.6	4864.2	4762.5	4656.1	4599.4	4565.5	4700.3	2137.9	163.9	71.9	27.0
-33°	4676.8	4580.0	4480.4	4336.6	4275.8	4276.5	4427.2	1499.0	160.4	67.8	27.0
-37.5°	4465.2	4358.0	4209.4	4050.4	3939.0	3959.1	3989.5	1172.7	162.5	61.5	27.0
-42.5°	4125.7	4068.3	3888.6	3733.0	3529.7	3323.7	3016.7	876.0	142.4	51.2	27.0
-47.5°	2884.6	2801.7	2725.6	2639.2	2450.4	2109.5	1612.4	346.4	127.2	40.1	27.0
-55°	753.0	744.0	792.4	728.8	596.7	445.3	387.9	132.8	96.1	34.6	27.0
-65°	518.6	538.6	423.2	281.4	142.4	121.0	188.8	71.9	52.5	30.4	26.3
-75°	72.6	65.0	51.2	53.9	56.7	53.2	48.4	29.7	29.7	27.7	25.6
-85°	27.0	25.6	24.9	24.2	22.8	21.4	21.4	22.1	24.9	27.0	25.6
-90°	0.0	0.0	0.0	0.0	0.0	0.0	0.0	0.0	0.0	0.0	0.0



REPORT NUMBER: P571643
CATALOG NUMBER: UFLD-CA2-130-727-U-66-TS2_UFLD

CANDELA DISTRIBUTION (continued):

	90°
90°	0.0
85°	0.0
75°	0.0
65°	0.0
55°	0.0
47.5°	0.0
42.5°	0.0
37.5°	0.0
33°	0.0
29°	0.0
25.5°	0.0
22.5°	0.0
19.5°	0.0
17°	0.0
15°	0.0
13°	0.0
11°	0.0
9°	0.0
7°	0.0
5°	0.0
3°	0.0
1°	0.0
0°	0.0
-1°	0.0
-3°	0.0
-5°	0.0
-7°	0.0
-9°	0.0
-11°	0.0
-13°	0.0
-15°	0.0
-17°	0.0
-19.5°	0.0
-22.5°	0.0
-25.5°	0.0
-29°	0.0
-33°	0.0
-37.5°	0.0
-42.5°	0.0
-47.5°	0.0
-55°	0.0
-65°	0.0
-75°	0.0
-85°	0.0
-90°	0.0

(END OF REPORT)